

# Keeping rooms fresh

## Ceiling Exhaust Fans – 200mm and 250mm



EF200RDWE



EF200SQWE



EF250RDMS



Ideal for bathrooms, kitchens and laundries

Strong air extraction up to 400m<sup>3</sup>/h, to whisk away steam and odours

Slimline in round and square designs to complement any decor. Matt Silver and White finish available

“Honeycomb” design to maximise airflow and reduce dust build up

Easy plug-in connection

High quality ball bearing motor for long lifespan, greater resistance to high temperatures and quieter operation

Removable fascia made of UV resistant plastic

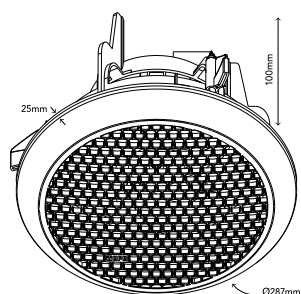
3 year warranty

# Ceiling Exhaust Fan – 200mm and 250mm

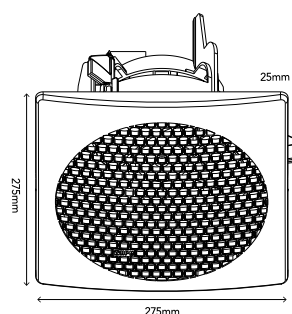
## SPECIFICATIONS

Cat No.	EF200RDWE	EF200RDMS	EF200SQWE	EF250RDWE	EF250RDMS	EF250SQWE
Description	Round Ceiling Exhaust Fan – 200mm		Square Ceiling Exhaust Fan – 200mm	Round Ceiling Exhaust Fan – 250mm		Square Ceiling Exhaust Fan – 250mm
Colour	White	Matt Silver	White	White	Matt Silver	White
Supply voltage	230 - 240V a.c. 50Hz					
Exhaust fan	200mm axial			250mm axial		
Maximum airflow	350m <sup>3</sup> /h			400m <sup>3</sup> /h		
Motor rating	35W			38W		
Fascia size	Ø287mm		275 x 275mm	Ø372mm		350 x 350mm
Fascia protrusion	25mm					
Projection into ceiling/wall	100mm					
Cut-out size	Ø242mm			Ø298mm		
Weight excl. packaging	1.1kg			1.3kg		
Power cord length	60cm					
Warranty	3 year					

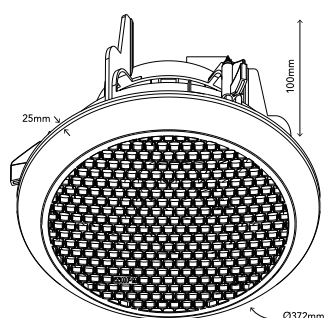
## PRODUCT DIMENSIONS



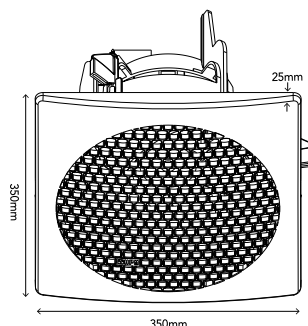
**Round Ceiling Exhaust Fan 200mm**



**Square Ceiling Exhaust Fan 200mm**



**Round Ceiling Exhaust Fan 250mm**



**Square Ceiling Exhaust Fan 250mm**